

Clairo HEPA DTM - Disposable Terminal Modules

Clairon offers minipleat laminar flow HEPA Filters using Gel Seal. These are mainly used in pharmaceutical, semi-conductor, micro electronics, surgery rooms in hospitals and bio medical Industry. This design is a perfect choice for uni directional and non directional flows. Total equipment comes with a tested, leak proof mode so as to ensure on site installation at ease.

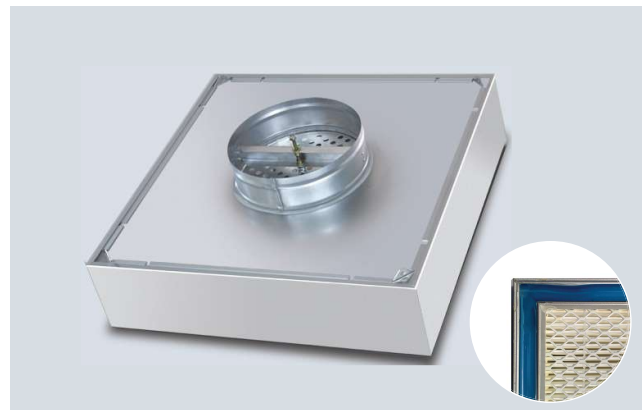
Clairon Models

Clairo HEPA DTM3

Using 81mm deep filter profiles
Available in H13, H14 and U15 grades

Clairo HEPA DTM4

Using 115mm deep filter profiles
Available in H13, H14 and U15 grades



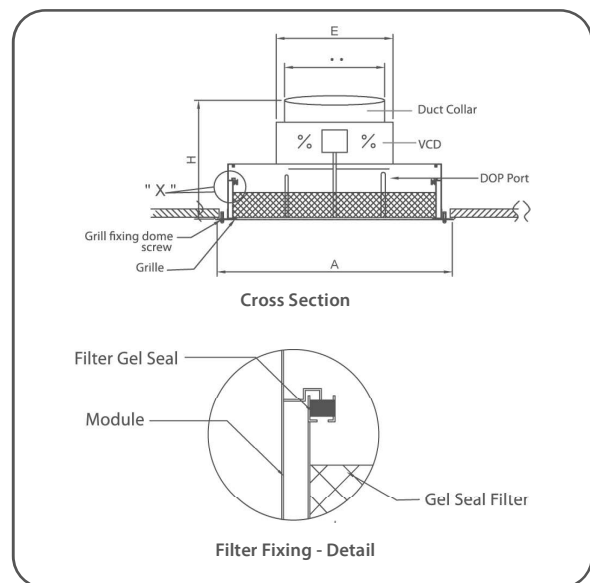
MEDIA FEATURES AND TECHNICAL DETAILS

HEPA DTM3 and DTM4 utilizes high quality Micro fine Glass Fiber packs encased in an aluminium profile section. This filter panel is fixed on low profile aluminium sections. The total units have got a distribution plate inside the section. It is arranged in such a way that it is adjustable with a screw driver from the room side itself. DTM models also comes with a built-in spigot of 250mm or 300mm dia for connecting flexible ducts. It also features an air sampling port in the room side. Outer Housing box has got 4 suspension points on the edges for easy hanging.

These units are perfect replacements for conventional deep pleat aluminium separator HEPA Filters. Low pressure drop, Long service life, Light weight, cost effectiveness, easy installation etc are the highlights. Units are offered in Disposable as well as Replaceable design. DTM3-R and DTM4-R are respective models in replaceable style. All features are offered in replaceable type with an option of filter replacement alone, retaining existing housing.

All units are factory tested and is completely leak proof. Filtration efficiency offered are 99.99%(H13) @ 0.3 micron, 99.999%(H14) @ 0.3 micron and 99.9995%(U15) @ 0.12 micron. Generally they are made in standard sizes, but custom designs are possible. Please contact our sales desk for more details.

DRAWING DETAIL



Selection Chart ▼

Model Number	Face Size (mm)	Frame	Rated Airflow Capacity CMH @ 0.508 m/s		
			99.99% / H13	99.999% / H14	99.9995% / U15
CHDTM3-R-44	Size: 610 x 610	Aluminium Section with Collar	615 / 125	525 / 125	370 / 125
CHDTM3-R-48	Size: 610 x 1220	Aluminium Section with Collar	1230 / 125	1050 / 125	740 / 125
CHDTM4-R-44	Size: 610 x 610	Aluminium Section with Collar	615 / 95	525 / 95	370 / 95
CHDTM4-R-48	Size: 610 x 1220	Aluminium Section with Collar	1230 / 95	1050 / 95	740 / 95

- Final Pressure Drop - 500 Pa
- Maximum Operating Temperature / Humidity - 80 ° C / 100%
- Face Grilles optional

All data are average indicative values with usual manufacturing and testing tolerances. We reserve the right to modify performance data without prior notices due to the constant technical improvement.

© Copyright: Every effort has been made to ensure that the information contained in this publication is accurate at the time of publishing. We assume no responsibility or liability for typographical errors or omissions or for any misinterpretation of the information within the publication and reserves the right to change without notice.

